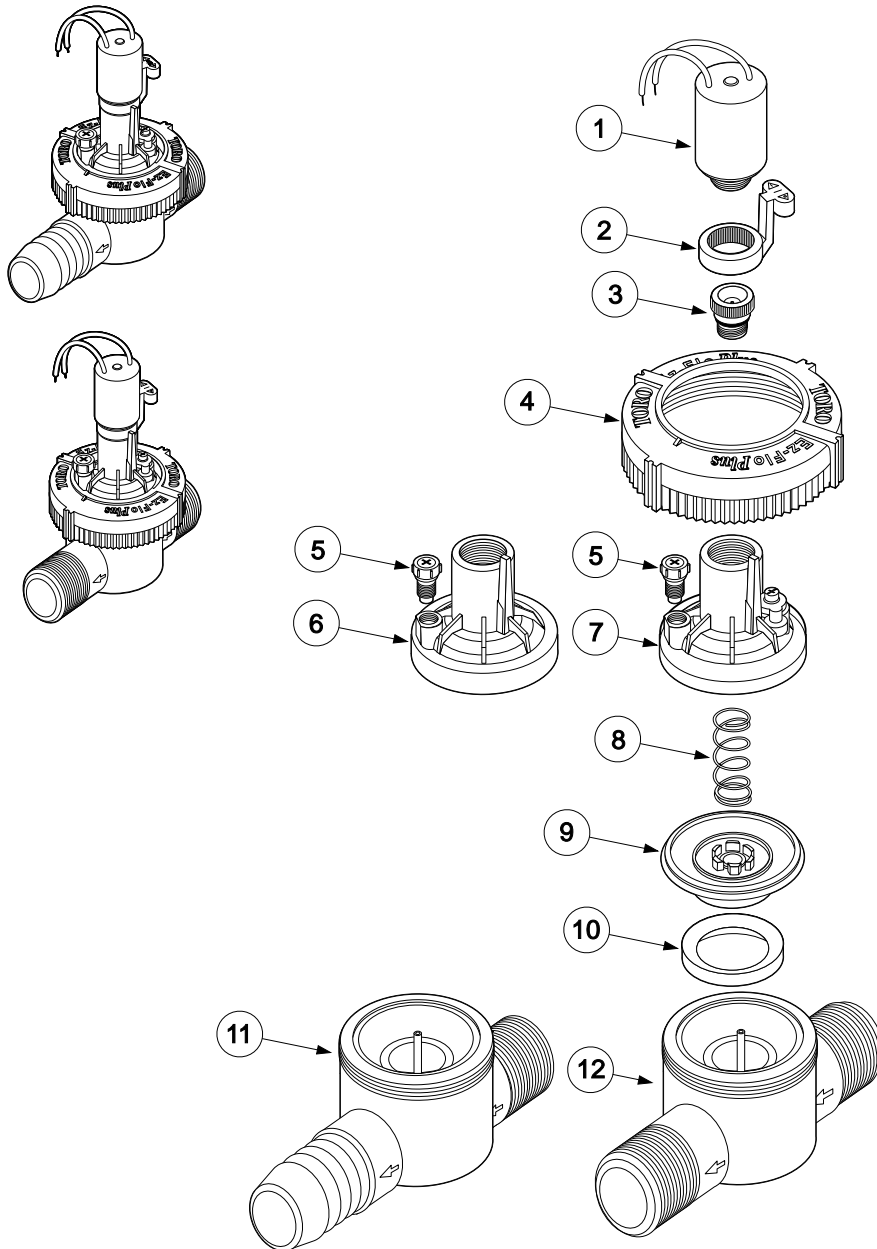
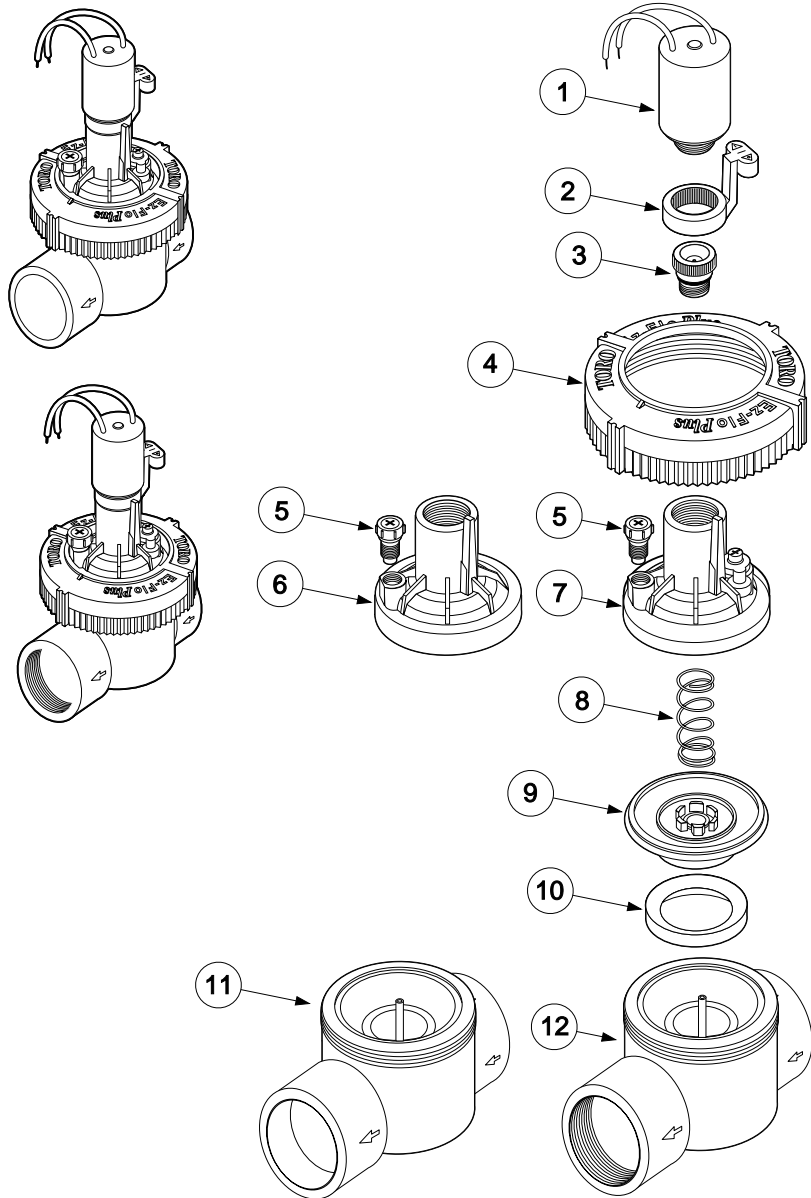


EZ-Flo Plus Series, 1 Inch Male



Item No.	Part No.	Description	Quantity Per Assy.
1	102-0842	Solenoid Assy., 24 V a.c., 60 Hz	1
2	1081501	Handle, Bleed Plug	1
3	933801	Bleed Plug Assy.	1
4	102-1717	Cover Nut	1
5	1081401	External Bleed Screw	1
6	512203	Cover Assy. (w/o Flow Control)	1
7	1115004	Cover Assy. (Flow Control Models)	1
8	204A-37	Spring	1
9	138802	Diaphragm Assy.	1
10	1116601	Divider	1
11	-----	Body Assy., 1", M x B, NPT	1
12	-----	Body Assy., 1", M x M, NPT	1

EZ-Flo Plus Series, 1 Inch Female



Item No.	Part No.	Description	Quantity Per Assy.
1	102-0842	Solenoid Assy., 24 V a.c., 60 Hz	1
2	1081501	Handle, Bleed Plug	1
3	933801	Bleed Plug Assy.	1
4	102-1717	Cover Nut	1
5	1081401	External Bleed Screw	1
6	512203	Cover Assy. (w/o Flow Control)	1
7	1115004	Cover Assy. (Flow Control Models)	1
8	204A-37	Spring	1
9	138802	Diaphragm Assy.	1
10	1116601	Divider	1
11	-----	Body Assy., 1", F x F, Slip	1
12	-----	Body Assy., 1", F x F, NPT	1