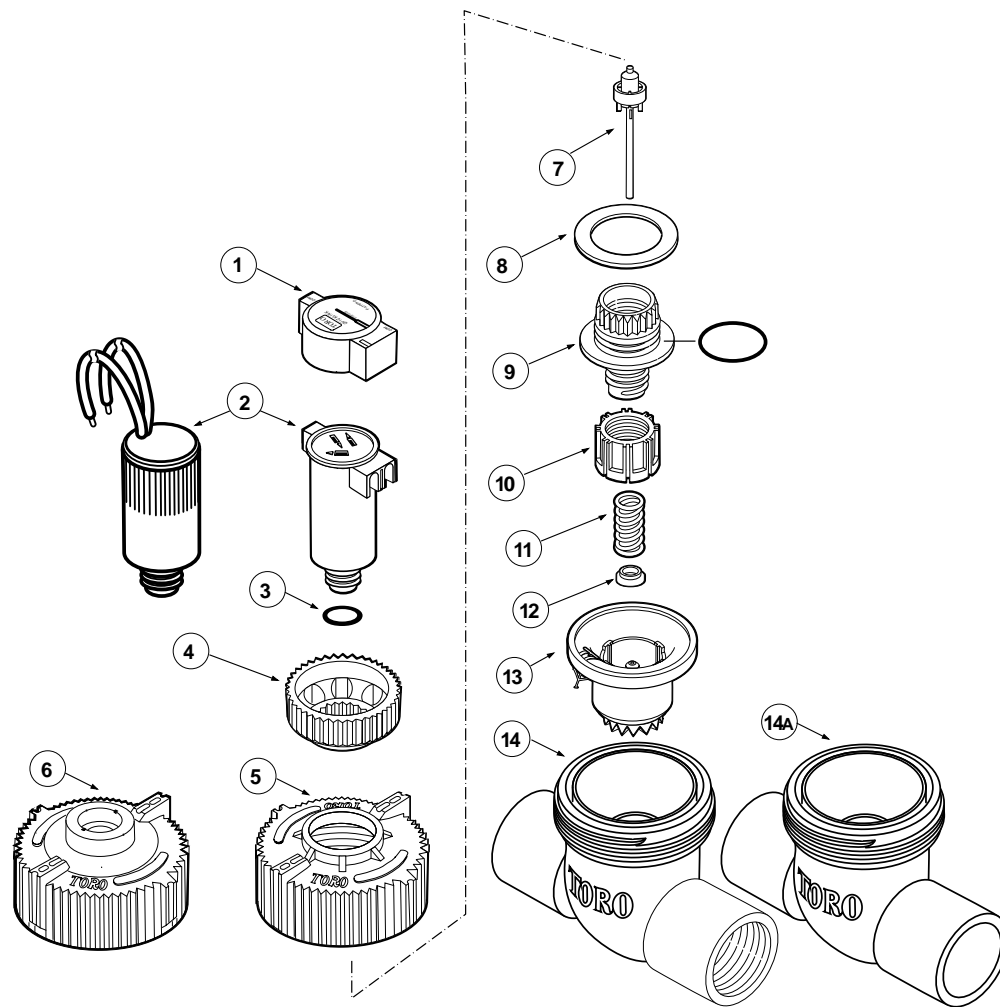


Flo-Pro Series, 1 Inch Female



Item No.	Part No.	Description	Quantity Per Assy.
1	89-0880	Cap, Solenoid	1
2	89-0889	Solenoid Assy. w/o Wires (Includes Item 3)	1
2	89-0114	Solenoid Assy. w/Wires (Includes Item 3)	1
3	363-3138	O-Ring, 1/6" x 5/8"	1
4	35-8292	Knob (Flow Control Models)	1
5	89-9987	Cap (Flow Control Models)	1
6	89-9986	Cap (w/o Flow Control)	1
7	89-0069	Seat Assy., Discharge	1
8	89-1155	Washer, Teflon (Flow Control Models)	1
9	-----	Stem Assy., Flow Control (See Service Items)	1
10	-----	Nut, Flow Control (See Service Items2)	1
11	89-2042	Spring, Diaphragm (Flow Control Models)	1
12	89-3423	Bearing, Spring Sleeve (Flow Control Models)	1
13	89-9861	Diaphragm Assy. (Rubber, w/Black Center Cup)	1
14	35-8234	Body, 1", F x F, NPT	1
14	35-8235	Body, 1", F x F, BSP	1
14A	35-8233	Body, 1", F x F, Slip	1
SERVICE PARTS AND ASSEMBLIES			
	89-4104	Drip Kit, Flow Control (Includes Items 9-12)	
	89-0142	Stem Assy., Flow Control (Includes Items 9, 10 and O-Ring)	
	89-0993	Diaphragm Assy., Old Style (Red Debris Arrestor, w/White Center Cup)	