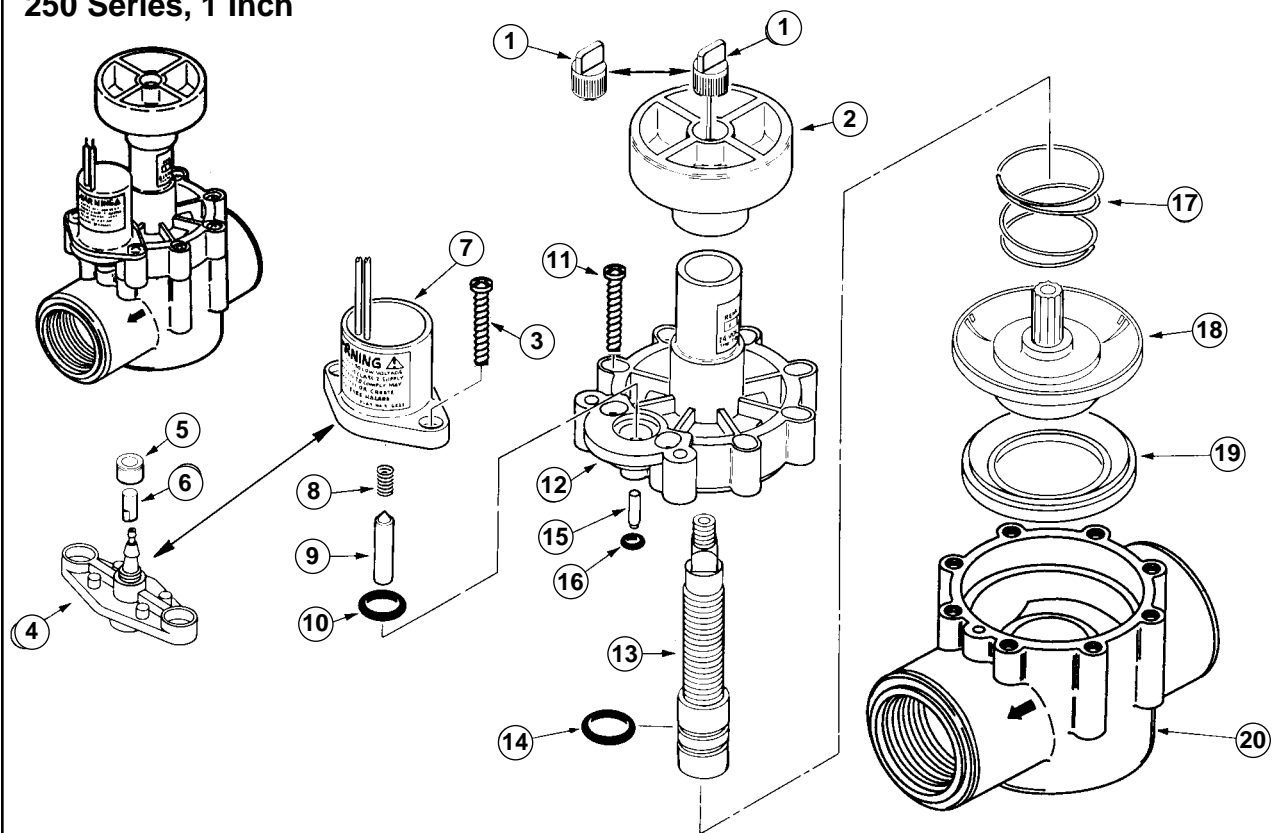


250 Series, 1 Inch



Item No.	Part No.	Description	Quantity Per Assy.
1	102-2152	Bleed Cap Assy. with Pin, EI	1
1	35-1748	Bleed Cap, NO and PT Hyd.	1
1	89-7855	Bleed Cap, Effluent	1
2	35-3777	Knob, Handle, Cross	1
3	363-1493	Screw, #10 x 1"	2
4	35-3776	Adapter, NO and PT Hyd.	1
5	*900-40	Retainer, Tube, NO and PT Hyd.	1
6	89-8157	Cap, Poly, NO and PT Hyd.	1
7	-----	Solenoid Assy., EI (See Service Items)	1
8	9-6148	Spring, Plunger, Solenoid, EI	1
9	9-6527	Plunger Assy., EI	1
10	2-9652	O-Ring, 7/16" x 5/8"	1
11	363-1493	Screw, #10 x 1"	8
12	9-8182	Cap Assy., EI	1
12	35-0767	Cap Assy., NO and PT Hyd. (Includes Items 13 and 14)	1
13	35-1983	Stem, Flow Control	1
14	360-0220	O-Ring, .070" x .551" x .691"	1
15	3-2016	Shaft, Idler, Lower, NO and PT Hyd.	1
16	1-2035	O-Ring, .070" x .114" x .254"	1
17	9-4425	Spring, Diaphragm, PT Hyd.	1
17	9-7110	Spring, Diaphragm, EL and NO Hyd.	1
18	35-2943	Diaphragm Assy., 1", NO Hyd.	1
18	35-2824	Diaphragm Assy., 1", EI	1
18	35-3655	Diaphragm Assy., 1", PT Hyd.	1
19	9-6331	Support, Diaphragm	1
20	9-6809	Body Assy., In-Line Globe, NPT	1
20	35-1970	Body Assy., In-Line Globe, BSP	1
		SERVICE PARTS AND ASSEMBLIES	
	89-0878	Solenoid & Plunger Assy., EI (Includes Items 7-9)	
	9-5197	Screen, Filter, 3/4" (Used with 35-3503 Diaphragm Assy.)	
	9-6548	Plug, Communication, Diaphragm(Used with 35-3655 Diaphragm Assy.)	
	35-9346	Bleed Cap Assy., Fast Closing with Flow Control	
	35-9354	Bleed Cap Assy., Fast Closing without Flow Control	
		* Order Through Finished Goods Distribution System—Minneapolis	