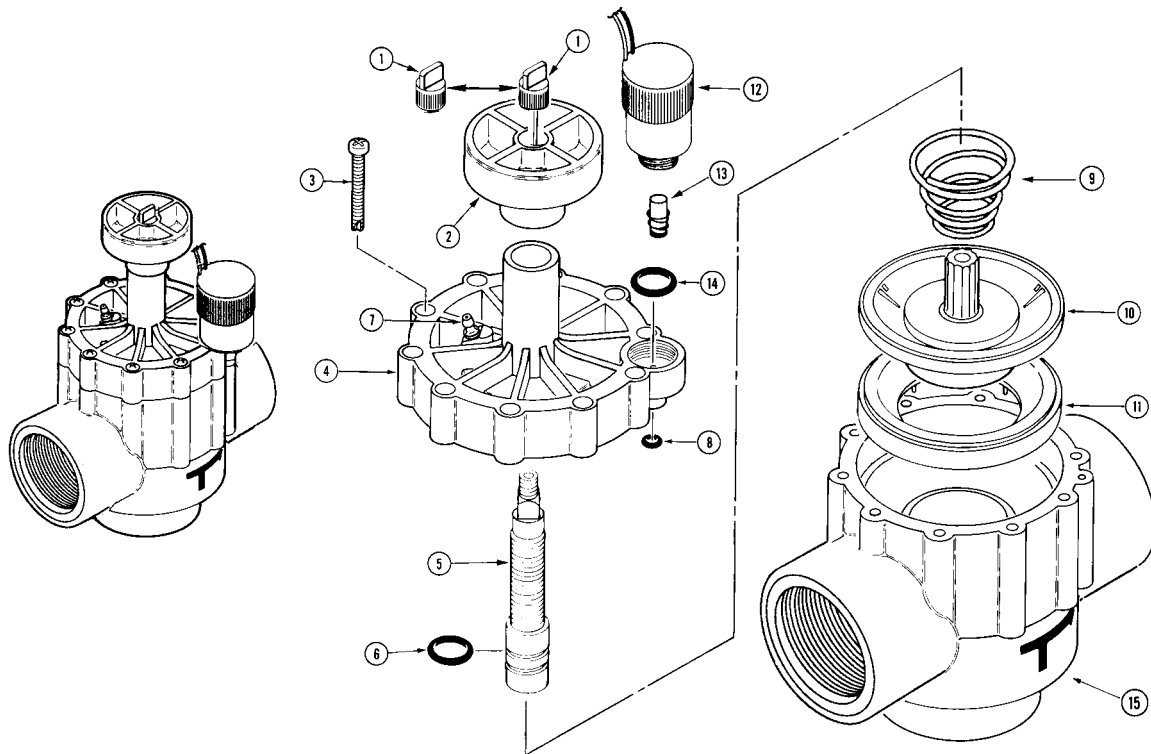
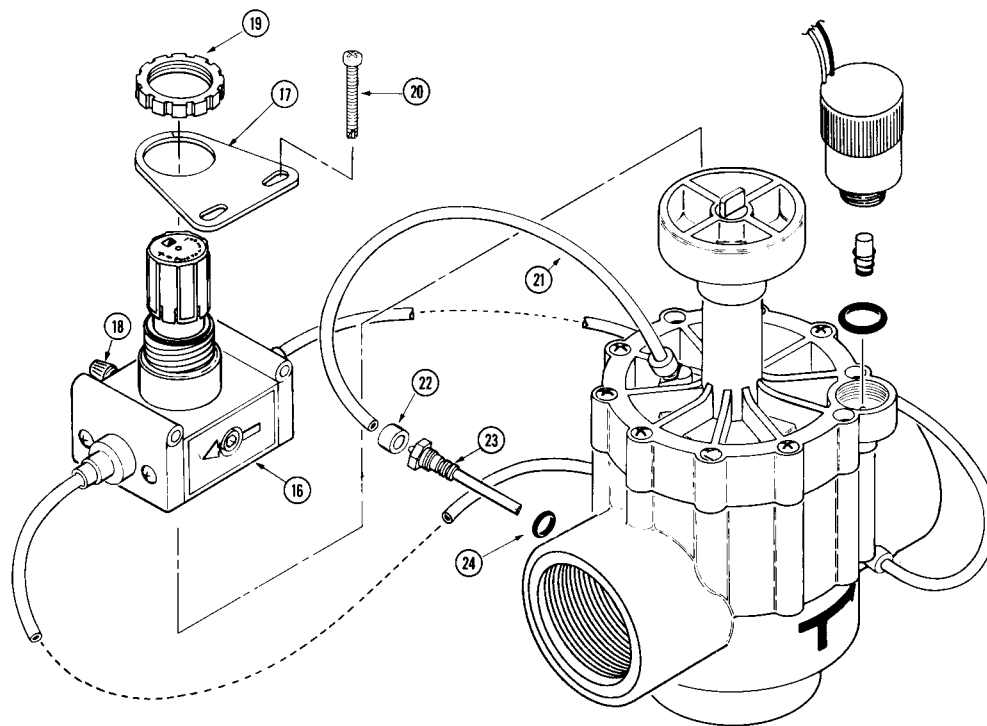


252 Series, 1-1/2 Inch (Sheet 1 of 2)



Item No.	Part No.	Description	Quantity Per Assy.
1	35-4521	Bleed Cap Assy. w/Pin, EI	1
1	35-1748	Bleed Cap, NO and PT Hyd., PR and CR	1
1	89-7855	Bleed Cap, Effluent	1
2	35-3777	Knob, Handle Cross	1
3	360-0203	Screw, Tap, #10, SST	10
4	-----	Cap, Valve, EI (See Service Items)	1
4	-----	Cap, Valve, NO and PT Hyd. (See Service Items)	1
4	-----	Cap, Valve, PR (See Service Items)	1
4	-----	Cap, Valve, CR (See Service Items)	1
5	35-1983	Stem, Flow Control	1
6	360-0220	O-Ring, .070" x .551" x .691"	2
7	9-6791	Connector, Poly	1
8	1-2035	O-Ring, .070" x .114" x .254", EI, PR and CR	1
9	9-4425	Spring, Diaphragm	1
10	89-0812	Diaphragm Assy., EI	1
10	89-0814	Diaphragm Assy., PT Hyd.	1
10	89-0813	Diaphragm Assy., NO Hyd., PR and CR	1
11	89-6110	Support, Diaphragm	1
12	89-1905	Solenoid Assy., EI, PR and CR	1
13	35-4609	Plunger Assy., EI, PR and CR	1
14	360-0220	O-Ring, .070" x .551" x .691", EI, PR and CR	1
15	9-7100	Body Assy., NO & PT Hyd., NPT	1
15	9-7238	Body Assy., EI, NPT	1
15	35-1972	Body Assy., NO and PT Hyd., BSP	1
15	35-1973	Body Assy., EI, BSP	1
15	35-4937	Body Assy., PR, NPT	1
15	35-5642	Body Assy., PR, BSP	1
15	89-4805	Body Assy., CR, NPT	1
15	89-6036	Body Assy., CR, BSP	1

252 Series, 1-1/2 Inch (Sheet 2 of 2)



Item No.	Part No.	Description	Quantity Per Assy.
16	363-3141	Regulator, Water Pressure, Plastic Valve, PR	1
17	35-3444	Bracket, Regulator, PR	1
18	363-1762	Valve, 1/8", PR, NPT	1
19	363-1894	Nut, Regulator, PR	1
20	360-0203	Screw, #10-25 x 1 3/4", PR	2
21	9-2623	Tube, 1/4" x 8", PR and CR	3
21	9-2624	Tube, 1/4" x 11-1/2", CR	1
22	*900-40	Retainer, Tube, PR and CR	6
23	35-4619	Filter Assy., .025", Regulator, PR and CR	1
24	360-0494	O-Ring, .070" x .426" x .566", PR and CR	1
		SERVICE PARTS AND ASSEMBLIES	
	35-3099	Solenoid Assy., EI and PR and CR (Includes Items 12 & 13)	
	89-8157	Cap, Poly, NO and PT Hyd.	
	2-3013	Plug, Cap	
	35-9346	Bleed Screw, Fast, 1" & 1-1/2"	
	35-0595	Cap Assy., Valve, EI (Includes Items 4-6)	
	35-0769	Cap Assy., Valve, NO and PT Hyd. (Includes Items 4-7)	
	35-4935	Cap Assy., Valve, PR and CR (Includes Items 4-7)	
	35-4926	Regulator Assy., Plastic Valve, PR (Includes Items 16-19)	
	360-0630	Plug, Pipe, 1-1/2", NPT	
	89-0817	Kit, Diaphragm, 1-1/2", EI (Includes Items 10 & 11)	
	89-0818	Kit, Diaphragm, 1-1/2", NO Hyd. (Includes Items 10 & 11)	
	89-0814	Kit, Diaphragm, 1-1/2", PT Hyd. (Includes Items 10 & 11)	
	89-9453	Kit, Service, Valve, 1-1/2", NO Hyd. (Includes Items 1, 2, 9, 10, 11 & 35-0769 Valve Cap Assy.)	
	89-3853	Kit, Service, Valve, 1-1/2", EI (252) (Includes Items 1, 2, 6, 8, 9, 10 & 35-0595 Valve Cap Assy.)	
	89-3892	Kit, Service, Valve, 1-1/2", PT Hyd. (Includes Items 1, 2, 9, 10, 11 & 35-0769 Valve Cap Assy.)	
		* Order Through Finished Goods Distribution System—Minneapolis	