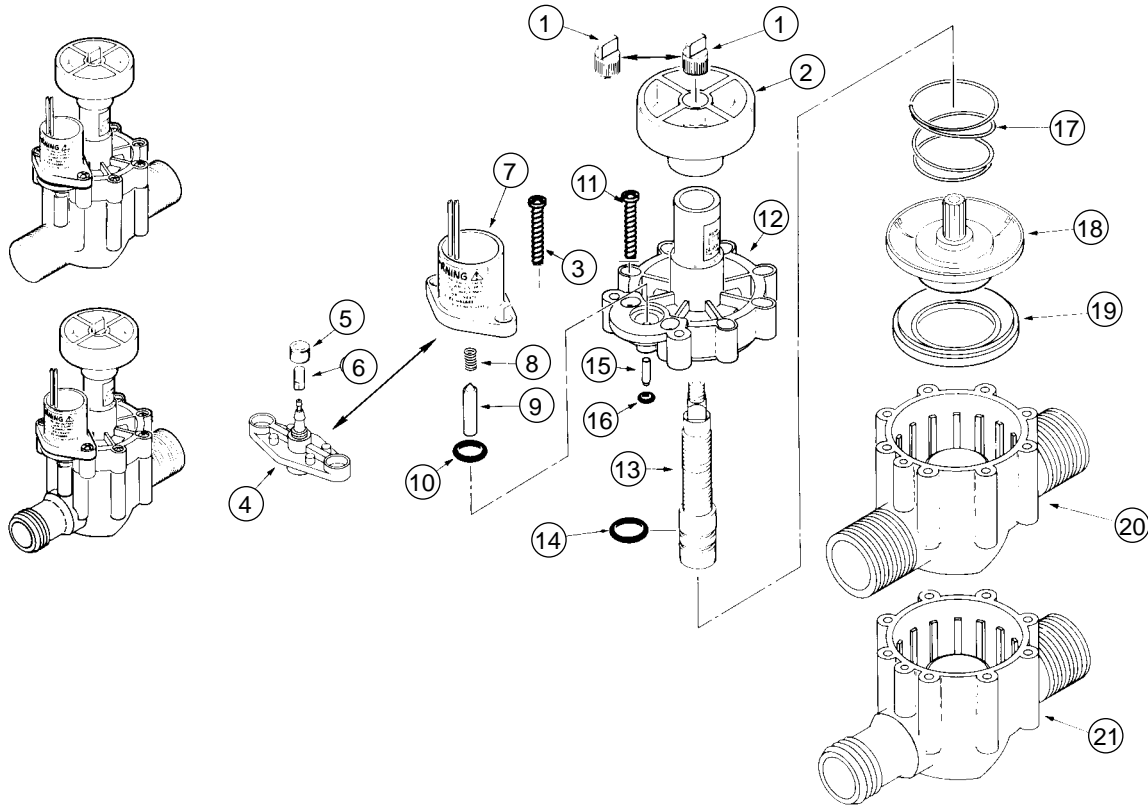


254 Series, 1 Inch



Item No.	Part No.	Description	Quantity Per Assy.
1	102-2152	Bleed Cap Assy. with Pin, EI	1
1	35-1748	Bleed Cap, NO Hyd.	1
2	35-3777	Knob, Handle, Cross	1
3	363-1493	Screw, #10 x 1"	2
4	35-3776	Adapter Assy., NO Hyd.	1
5	900-40	Retainer, Tube, NO Hyd.	1
6	89-8157	Cap, Poly, NO Hyd.	1
7	-----	Solenoid Assy., EI (See Service Items)	1
8	9-6148	Spring, Plunger, Solenoid, EI	1
9	9-6527	Plunger Assy.	1
10	2-9652	O-Ring, 7/16" x 5/8"	1
11	363-4007	Screw, #10 x 1"	8
12	35-4665	Cap, Valve, w/FC, EL	1
12	35-0767	Cap Assy. w/FC, NO Hyd.	1
13	35-1983	Stem, Flow Control	1
14	360-0220	O-Ring, .070" x .551" x .691"	1
15	3-2016	Shaft, Idler, Lower, NO Hyd.	1
16	1-2035	O-Ring, .070" x .114" x .254"	1
17	9-7110	Spring, Diaphragm, NO Hyd.	1
18	35-2943	Diaphragm Assy., 1", NO Hyd.	1
18	35-2824	Diaphragm Assy., 1", EI	1
19	9-6331	Support, Diaphragm	1
20	9-8311	Body Assy., M x M, 1"	1
21	35-1772	Body Assy., M x B, 1"	1
SERVICE PARTS AND ASSEMBLIES			
-	89-0878	Solenoid & Plunger Assy., EL (Includes Items 7-9)	
-	9-8182	Cap Assy., w/FC, EI (Includes Items 12-14)	
-	35-0767	Cap Assy., w/FC, NO Hyd. (Includes Items 12-14)	
-	35-9346	Bleed Cap Assy., Fast Closing w/Flow Control	
-	35-9354	Bleed Cap Assy., Fast Closing w/o Flow Control	