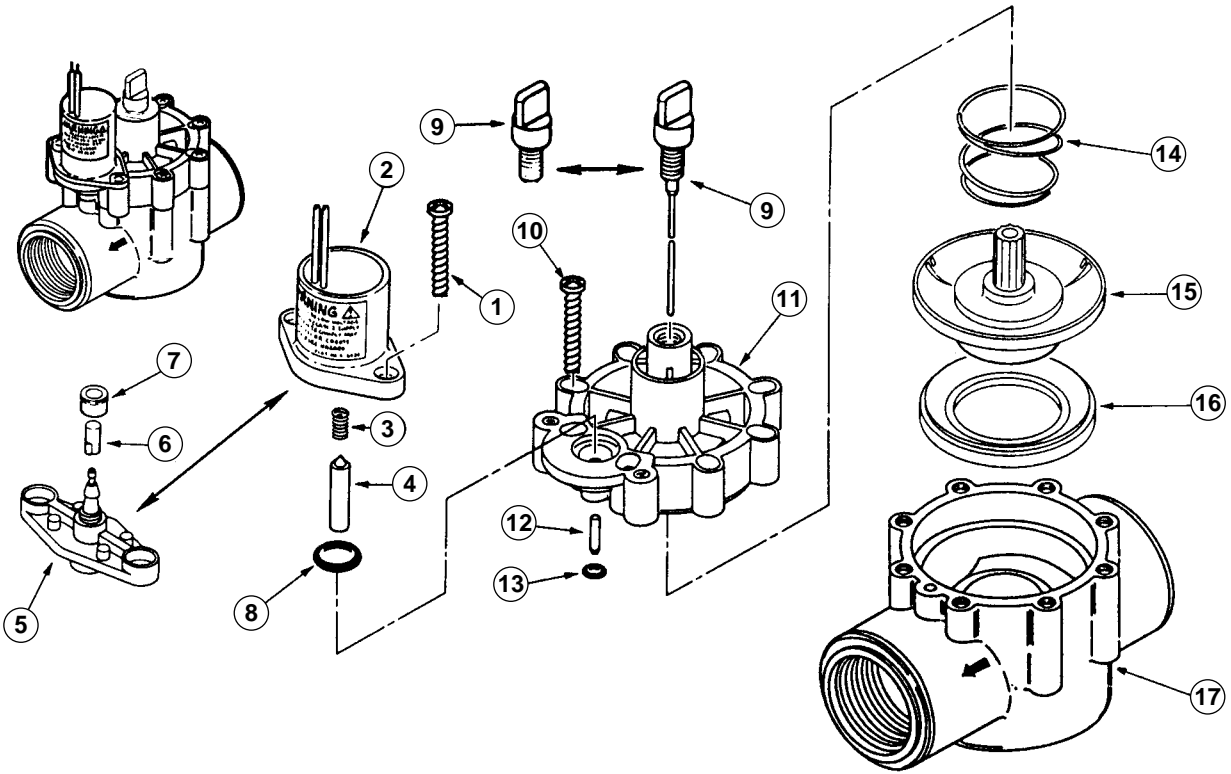


260 Series, 1 Inch



Item No.	Part No.	Description	Quantity Per Assy.
1	363-1493	Screw, #10 x 1"	2
2	-----	Solenoid Assy. (See Service Item 89-0878)	1
3	9-6148	Spring, Plunger, Solenoid	1
4	9-6527	Plunger Assy.	1
5	35-3776	Adapter, NO and PT Hyd.	1
6	89-8157	Cap, Poly, NO and PT Hyd.	1
7	*900-40	Retainer, Tube, NO and PT Hyd.	1
8	2-9652	O-Ring, 7/16" x 5/8"	1
9	35-2941	Bleed Screw Assy. w/Pin, EI	1
9	35-2673	Bleed Cap, NO and PT Hyd.	1
10	363-1493	Screw, #10 x 1"	8
11	9-8313	Cap, Valve without FC, EI	1
11	9-7291	Cap, Valve without FC, NO and PT Hyd.	1
12	3-2016	Shaft, Idler, Lower, NO and PT Hyd.	1
13	1-2035	O-Ring, .070" x .114" x .254"	1
14	9-7110	Spring, Diaphragm, EI and NO Hyd.	1
14	9-4425	Spring, Diaphragm, PT Hyd.	1
15	35-2943	Diaphragm Assy., 1", NO Hyd.	1
15	35-2824	Diaphragm Assy., 1", EL	1
15	35-3655	Diaphragm Assy., 1", PT Hyd.	1
16	9-6331	Support, Diaphragm	1
17	9-6809	Body Assy., Globe, NPT	1
17	35-1970	Body Assy., Globe, BSP	1
		SERVICE PARTS AND ASSEMBLIES	
	89-0878	Solenoid & Plunger Assy., EL (Includes Items 2-4)	1
	9-5197	Screen, Filter, 3/4" (Used with 35-3503 Diaphragm Assy.)	
	9-6548	Plug, Communication, Diaphragm (Used with 35-3655)	
	35-9346	Bleed Cap Assy. - Fast Closing w/Flow Control	
	35-9354	Bleed Cap Assy. - Fast Closing w/o Flow Control	
	9-6548	Plug, Communication, Diaphragm (Used with 35-3655)	1
		* Order Through Finished Goods Distribution System—Minneapolis	