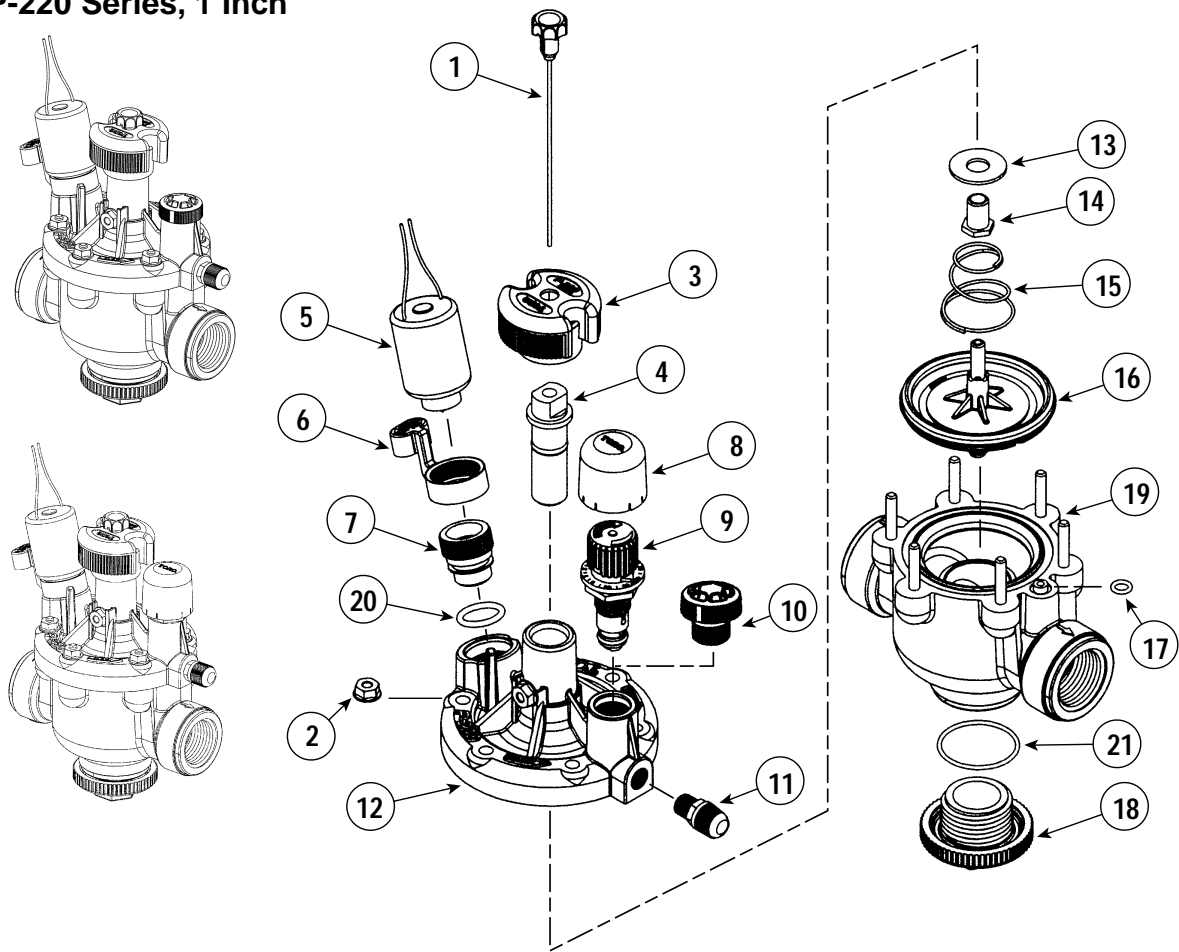


P-220 Series, 1 Inch



Item No.	Part No.	Description	Quantity Per Assy.
1	*R-1552	Metering Rod Assy.	1
2	845101	Hex Nut, Flanged	7
3	89-9780	Handle, Flow Control	1
4	933701	Stem, Flow Control	1
5	102-0842	Solenoid Assy., 60 Hz	1
5	102-0927	Solenoid Assy., 50 Hz	1
6	1081501	Handle, Bleed Plug	1
7	1009605	Bleed Plug	1
8	835203	Vandal Cap	1
9	*EZR-30	Regulator Module, 30 PSI (Includes Item 8)	1
9	*EZR-100	Regulator Module, 100 PSI (Includes Item 8)	1
10	89-9521	Blanking Plug Assy.	1
11	834101	Schrader Valve Assy.	1
12	102-0366	Bonnet Assy.	1
13	856202	Stem Washer	1
14	1033-H	Bushing	1
15	H1040	Spring	1
16	102-0368	Diaphragm Assy.	1
17	1054-H	O-Ring, Body	1
18	*536203	Plug, Body, NPT & BSP	1
19	-----	Valve Body Assy.	1
20	1009701	O-Ring, Bleed Plug	1
21	2413	O-Ring, Body Plug	1
	*89-9580	SERVICE PARTS AND ASSEMBLIES Solenoid Assy., Potted, 50/60 Hz (Includes Plunger and O-Ring) * Order Through Finished Goods Distribution System—Minneapolis	