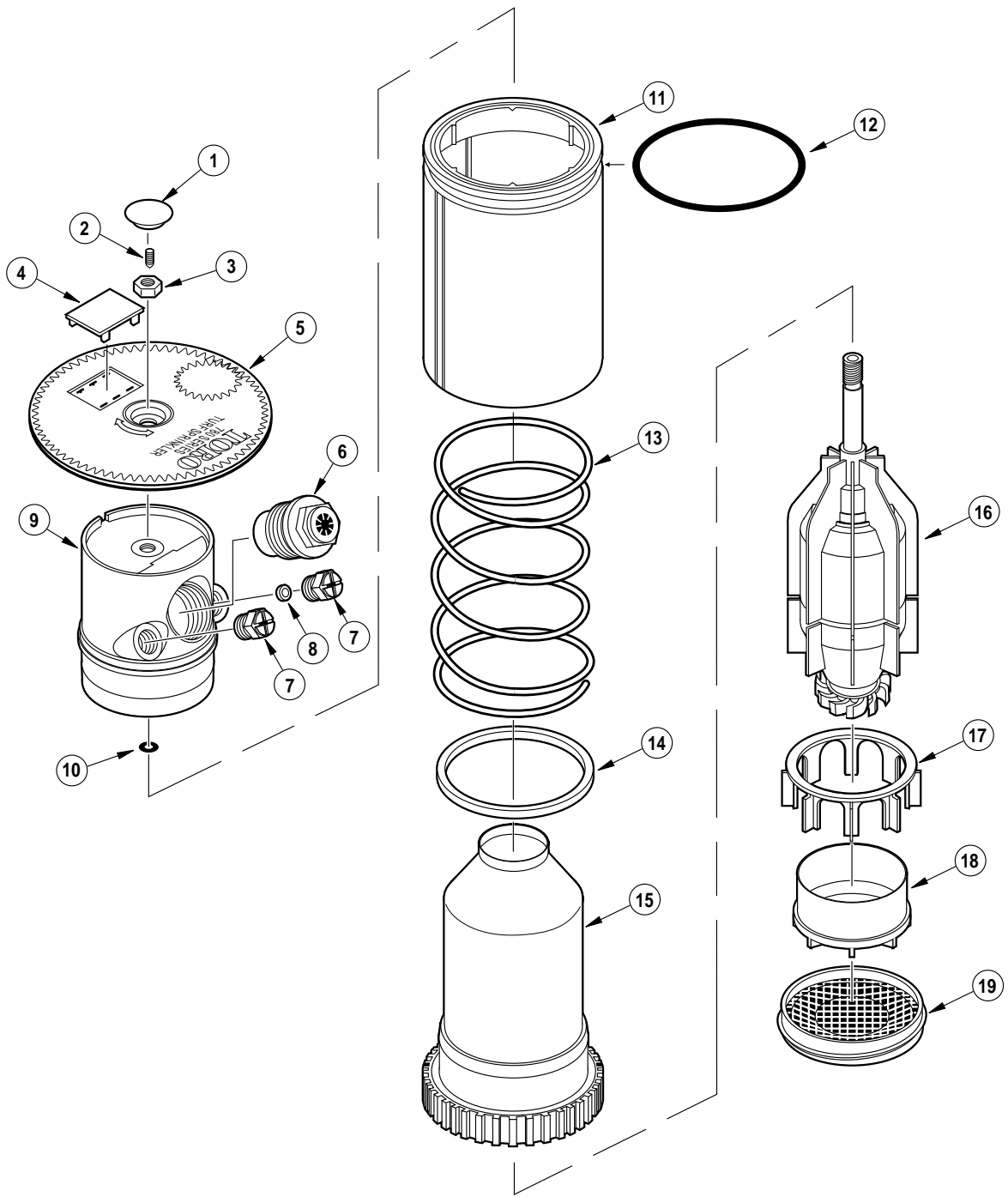


780 Series Conversion Assembly



Item No.	Part No.	Description	Quantity Per Assy.
1	89-1220	Plug, Adjustment	1
2	363-3150	Screw, Set, 10-32 x .250 (PC Only)	1
3	363-4039	Nut, Jam, 5/16-24 w/Thread Locker	1
4	89-1589	Plug, Cap	1
5	89-1584	Cap, 780	1
6	89-1925	Nozzle, Main, 82 Yellow	1
6	89-1926	Nozzle, Main, 83 Blue	1
6	89-1927	Nozzle, Main, 84 Brown	1
6	89-1928	Nozzle, Main, 85 Orange	1
6	89-1929	Nozzle, Main, 86 Green	1
6	89-1930	Nozzle, Main, 87 Gray	1
6	89-1931	Nozzle, Main, 88 Black	1
6	89-4655	Nozzle, Main, 89 Red	1
7	89-4651	Nozzle, Inner, 82 Yellow	2
7	89-3942	Nozzle, Inner, 83 Blue	2
7	89-4652	Nozzle, Inner, 84 Brown	2
7	89-3729	Nozzle, Inner, 85 Orange	2
7	89-4653	Nozzle, Inner, 86 Green	2
7	89-1879	Nozzle, Inner, 87 Gray	2
7	89-4654	Nozzle, Inner, 88 Black	2
7	89-1878	Nozzle, Inner, 89 Red	2
8	89-4649	Restrictor, (82 & 83 Black)	1
8	89-4650	Restrictor, (84-89 White)	1
9	89-1906	Nozzle Base Assy., 760 / 780	1
9	102-0057	Nozzle Base Assy., 760 / 780 w/Back Nozzle (Includes 89-3729 Nozzle, Inner 85 Orange and 89-4650 Restrictor)	1
10	360-0107	O-Ring	1
11	89-7568	Sleeve, Retainer, O-Ring, 780 Conversion	1
12	363-3208	O-Ring	1
13	89-6307	Spring, Return	1
14	89-7569	Seal, Riser	1
15	89-6360	Riser Assy., 760	1
16	89-8985	Drive Assy., PC	1
16	89-8986	Drive Assy., FC	1
17	89-1958	Stator Support	1
18	89-1957	Stator, Variable	1
19	89-1588	Screen, 760 & 780	1
		SERVICE PARTS AND ASSEMBLIES	
	89-8288	Cap, Effluent	
		SERVICE TOOLS	
		See p. 69	