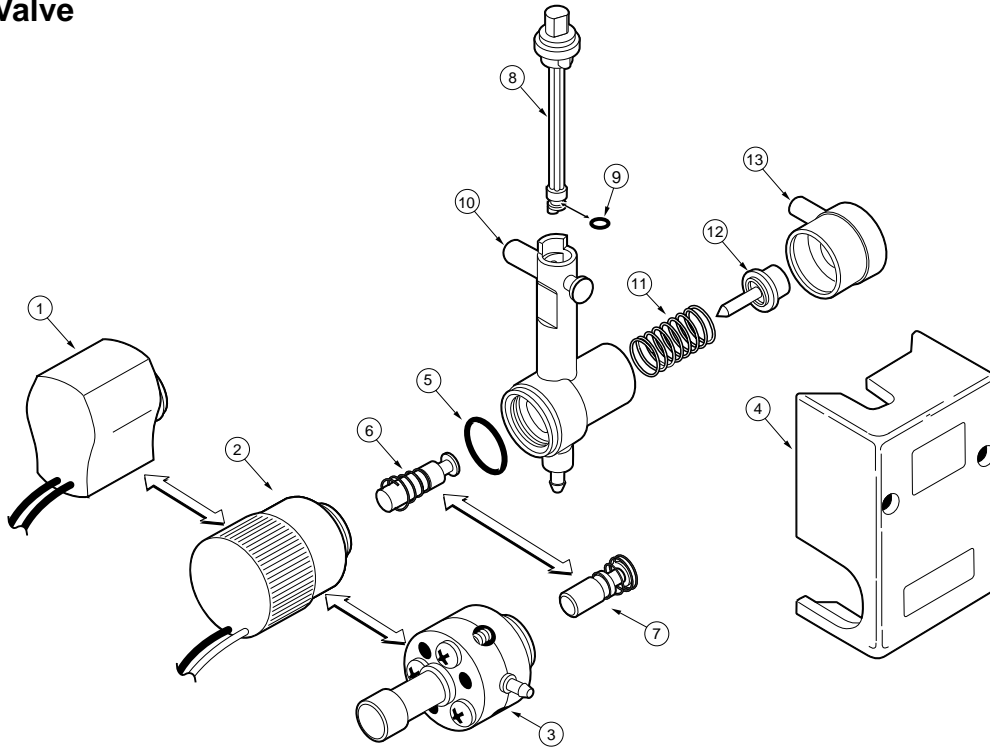


Pilot Valve



Item No.	Part No.	Description	Quantity Per Assy.
1	102-0932	Solenoid, Low Wattage, w/Surge Protection	1
1	102-0312	Solenoid, Low Wattage, w/Surge Protection, Saltwater Tolerant	1
2	89-1905	Solenoid, Pilot Valve & Valve	1
3	89-6005	Adapter, Pilot Valve, NC	1
4	89-0001	Housing, Pilot Valve	1
5	360-0220	O-Ring, .070" x .551" x .691"	1
6	102-2110	Plunger Assy., Saltwater Tolerant	1
6	35-9993	Plunger Assy., Elec.	1
7	89-6003	Plunger Assy., NC	1
8	-----	Selector Cam Assy. (See Service Parts and Assemblies Below)	1
9	1-2035	O-Ring, .070" x .114" x .254"	1
10	89-6004	Body Assy., Pilot Valve	1
11	35-9970	Spring, 50 PSI, Black	1
11	35-9971	Spring, 65 PSI, Green	1
11	35-9972	Spring, 80 PSI, Red	1
11	35-9973	Spring, 100 PSI, Blue	1
12	89-0029	Piston	1
13	89-0005	Diaphragm Assembly	1
SERVICE PARTS AND ASSEMBLIES			
	102-2163	Pilot Valve Assembly, 50 PSI, Low Wattage, w/Surge Protection	
	102-2164	Pilot Valve Assembly, 65 PSI, Low Wattage, w/Surge Protection	
	102-2165	Pilot Valve Assembly, 80 PSI , Low Wattage, w/Surge Protection	
	102-2166	Pilot Valve Assembly, 100 PSI , Low Wattage, w/Surge Protection	
	89-0009	Pilot Valve Assy., 50 PSI, Elec.	
	89-0010	Pilot Valve Assy., 65 PSI, Elec.	
	89-0011	Pilot Valve Assy., 80 PSI, Elec.	
	89-0012	Pilot Valve Assy., 100 PSI ,Elec.	
	89-3918	Pilot Valve Assy., 50 PSI, NC	
	89-3919	Pilot Valve Assy., 65 PSI, NC	
	89-7125	Pilot Valve Assy., 80 PSI, NC	
	89-7126	Pilot Valve Assy., 100 PSI, NC	
	89-0998	Pilot Valve less Solenoid, 50 PSI, Elec.	
	89-0999	Pilot Valve less Solenoid, 65 PSI, Elec.	
	89-1000	Pilot Valve less Solenoid, 80 PSI, Elec.	
	89-1001	Pilot Valve less Solenoid, 100 PSI, Elec.	
	102-0343	Selector Cam Assy. (Includes Items 8-9)	