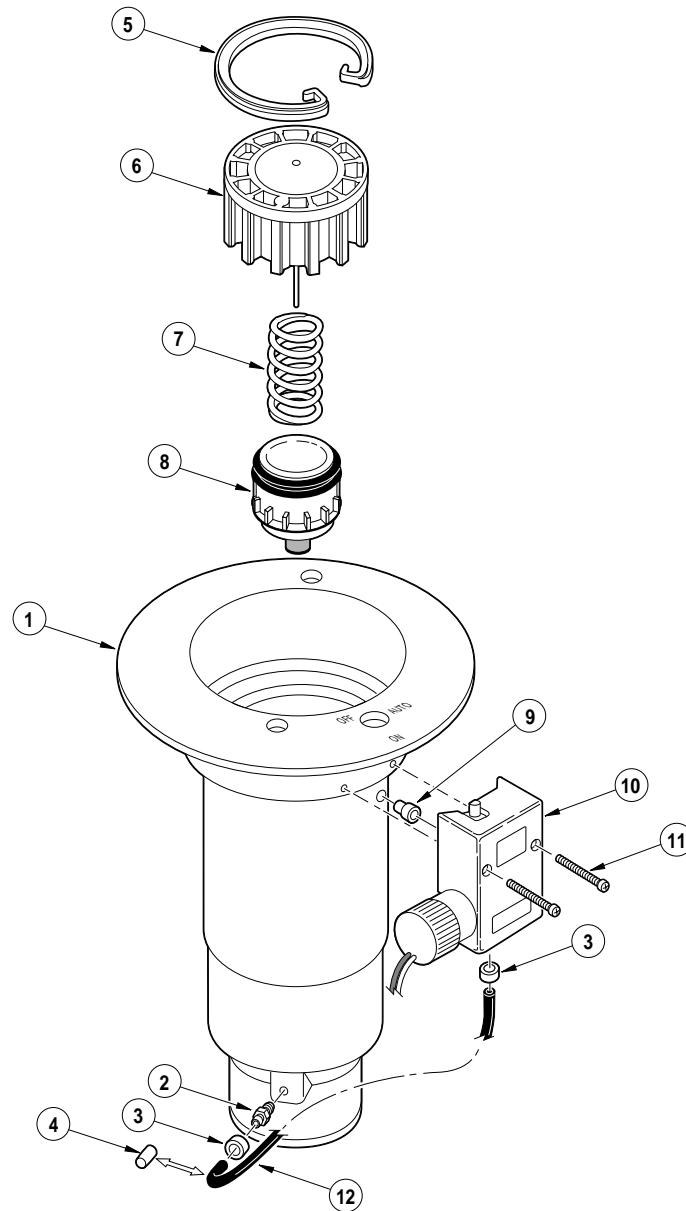


Golf Sprinkler Body — 1.5 Inch



Item No.	Part No.	Description	Quantity Per Assy.
1	-----	Body Assy.(See p. 67)	1
2	9-6002	Adapter, Tubing, Threaded, 1/4 in.	1
3	*900-40	Retainer, Tube	2
4	3-3304	Snap Ring, Valve	1
5	9-1479	Cylinder Assy., NO and COM	1
5	9-1486	Cylinder Assy., EL and NC	1
6	3-3323	Spring, Valve, NO, EL and NC	1
6	3-3311	Spring, Valve, COM	1
7	89-1201	Piston Assy., NO and COM	1
7	89-0937	Piston Assy., EL and NC	1
8	35-7663	Adapter, Pilot Valve to Body	1
9	-----	Pilot Valve Assy. (See p. 68)	1
10	3-2696	Screw, Tap #8	2
11	9-2623	Tubing, Poly, 1/4 in., Pilot Valve, 8 in.	1
11	9-1876	Tubing, Poly, 1/4 in., COM, 11.5 in.	1
12	89-8157	Cap, Poly	1
N/I	3-2606	Adapter, Poly 1/4 in. (Used on 02 and 52 models only)	1

Item No.	Part No.	Description	Quantity Per Assy.
		1.5 INCH NPT BODY STYLE	
1	3-3389	Electric wo/VIH (Includes Items 1–4)	1
1	89-1011	Electric w/VIH (Includes Items 1–4)	1
1	89-4864	Electric w/VIH, 50 lb. PV (Includes Items 1–3 & 5–12)	1
1	89-1018	Electric w/VIH, 65 lb. PV (Includes Items 1–3 & 5–12)	1
1	89-1016	Electric w/VIH, 80 lb. PV (Includes Items 1–3 & 5–12)	1
1	89-1017	Electric w/VIH, 100 lb. PV (Includes Items 1–3 & 5–12)	1
1	3-3343	Hydraulic NO wo/VIH (Includes Items 1–4)	1
1	89-1040	Hydraulic NO w/VIH (Includes Items 1–8)	1
1	9-1257	COM wo/VIH (Includes Items 1–3 & 12)	1
1	89-1043	COM w/VIH (Includes Items 1–3 & 5–8)	1
1	3-3389	Hydraulic NC wo/VIH (Includes Items 1–4)	1
1	89-1011	Hydraulic NC w/VIH (Includes Items 1–8)	1
1	89-5760	Hydraulic NC w/VIH, 50 lb. PV (Includes Items 1–3 & 5–12)	1
1	89-5764	Hydraulic NC w/VIH, 65 lb. PV (Includes Items 1-3 & 5-12)	1
1	89-5768	Hydraulic NC w/VIH, 80 lb. PV (Includes Items 1-3 & 5-12)	1
1	89-5773	Hydraulic NC w/VIH, 100 lb. P (Includes Items 1-3 & 5-12)	1
		1.5 INCH BSP BODY STYLE	
1	35-5362	Electric wo/VIH (Includes Items 1–4)	1
1	89-4860	Electric w/VIH (Includes Items 1–8)	1
1	89-4865	Electric w/VIH, 50 lb. PV (Includes Items 1–3 & 5–12)	1
1	89-4869	Electric w/VIH, 65 lb. PV (Includes Items 1–3 & 5–12)	1
1	89-1014	Electric w/VIH, 80 lb. PV (Includes Items 1–3 & 5–12)	1
1	89-1015	Electric w/VIH, 100 lb. PV (Includes Items 1–3 & 5–12)	1
1	35-5245	Hydraulic NO wo/VIH (Includes Items 1–4)	1
1	89-1039	Hydraulic NO w/VIH (Includes Items 1-8)	1
1	35-5322	COM wo/VIH (Includes Items 1–3 & 12)	1
1	89-1042	COM w/VIH (Includes Items 1–3 & 5–8)	1
1	35-5362	Hydraulic NC wo/VIH (Includes Items 1–4)	1
1	89-4860	Hydraulic NC w/VIH (Includes Items 1–8)	1
1	89-5761	Hydraulic NC w/VIH, 50 lb. PV (Includes Items 1–3 & 5–12)	1
1	89-5765	Hydraulic NC w/VIH, 65 lb. PV (Includes Items 1–3 & 5–12)	1
1	89-5769	Hydraulic NC w/VIH, 80 lb. PV (Includes Items 1–3 & 5–12)	1
1	89-5774	Hydraulic NC w/VIH, 100 lb. PV (Includes Items 1–3 & 5–12)	1
		1.5 INCH ACME BODY STYLE	
1	89-8646	1.5" ACME Body Style, Electric w/o VIH (Includes Items 1–4)	1
1	89-8647	1.5" ACME Body Style, Electric w/VIH (Includes Items 1–8)	1
1	89-8648	1.5" ACME Body Style, Electric w/VIH, 50 lb. PV (Includes Items 1–3 & 5–12)	1
1	89-8649	1.5" ACME Body Style, Electric w/VIH, 65 lb. PV (Includes Items 1–3 & 5–12)	1
1	89-8650	1.5" ACME Body Style, Electric w/VIH, 80 lb. PV (Includes Items 1–3 & 5–12)	1
1	89-8651	1.5" ACME Body Style, Electric w/VIH, 100 lb. PV (Includes Items 1–3 & 5–12)	1
1	89-8654	1.5" ACME Body Style, Hydraulic NO w/o VIH (Includes Items 1–4)	1
1	89-8655	1.5" ACME Body Style, Hydraulic NO w/VIH (Includes Items 1–8)	1
1	89-8652	1.5" ACME Body Style, COM w/o VIH (Includes Items 1–3 & 12)	1
1	89-8653	1.5" ACME Body Style, COM w/VIH (Includes Items 1–3 & 5–8)	1
		SERVICE PARTS AND ASSEMBLIES	
	89-1036	Valve Assy., NO	
	89-1010	Valve Assy., EL and NC	
	9-1249	Valve Assy., NO with Drain	
	89-1037	Valve Assy., COM	
	35-9645	Filter Assy., Metering, EL and NC	
	9-7271	Adapter, Oversized Thread	
		SERVICE TOOLS	
		See p. 69	
		* Order Through Finished Goods Distribution System—Minneapolis	