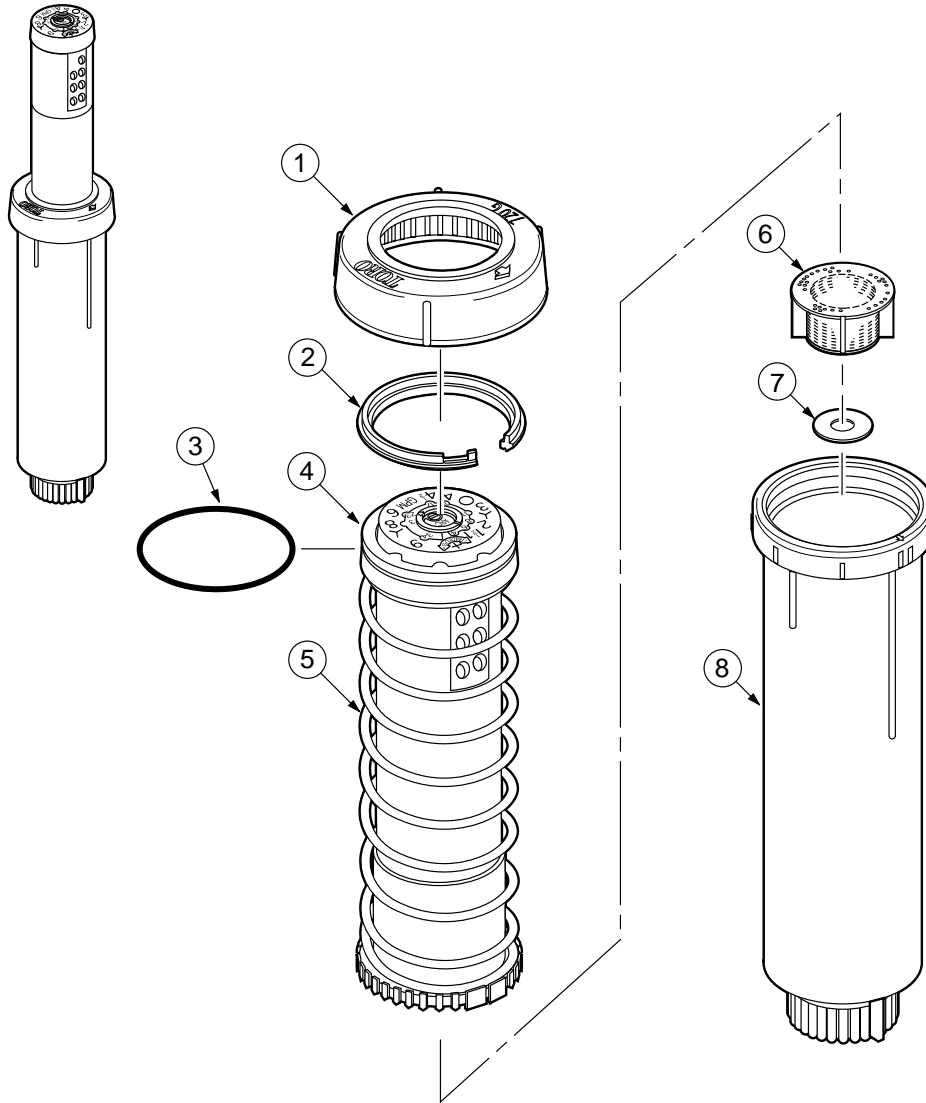


# 720G Series



Item No.	Part No.	Description	Quantity Per Assy.
1	102-2277	Cover, Rubber Body	1
1	102-2278	Cover, Rubber Body, Effluent	1
2	89-8657	Snap Ring	1
3	363-4195	O-Ring	1
4	-----	Retainer w/Seal, (See Service Part 102-2447)	1
5	*725G	Riser Assembly (Adjustable Part-circle)	1
5	*724G	Riser Assembly (Full-circle)	1
5	*725GE	Riser Assembly (Adjustable Part-circle, Effluent)	1
5	*724GE	Riser Assembly (Full-circle, Effluent)	1
6	89-9428	Screen	1
7	89-7561	Seal, Check	1
8	89-8658	Body	1
		<b>SERVICE PARTS AND ASSEMBLIES</b>	
	102-2447	Retainer w/Seal Assembly (Includes Items 3 and 4)	
		<b>SERVICE TOOLS</b>	
		See p. 69	
		* Order through Finished Goods Distribution System— Minneapolis	