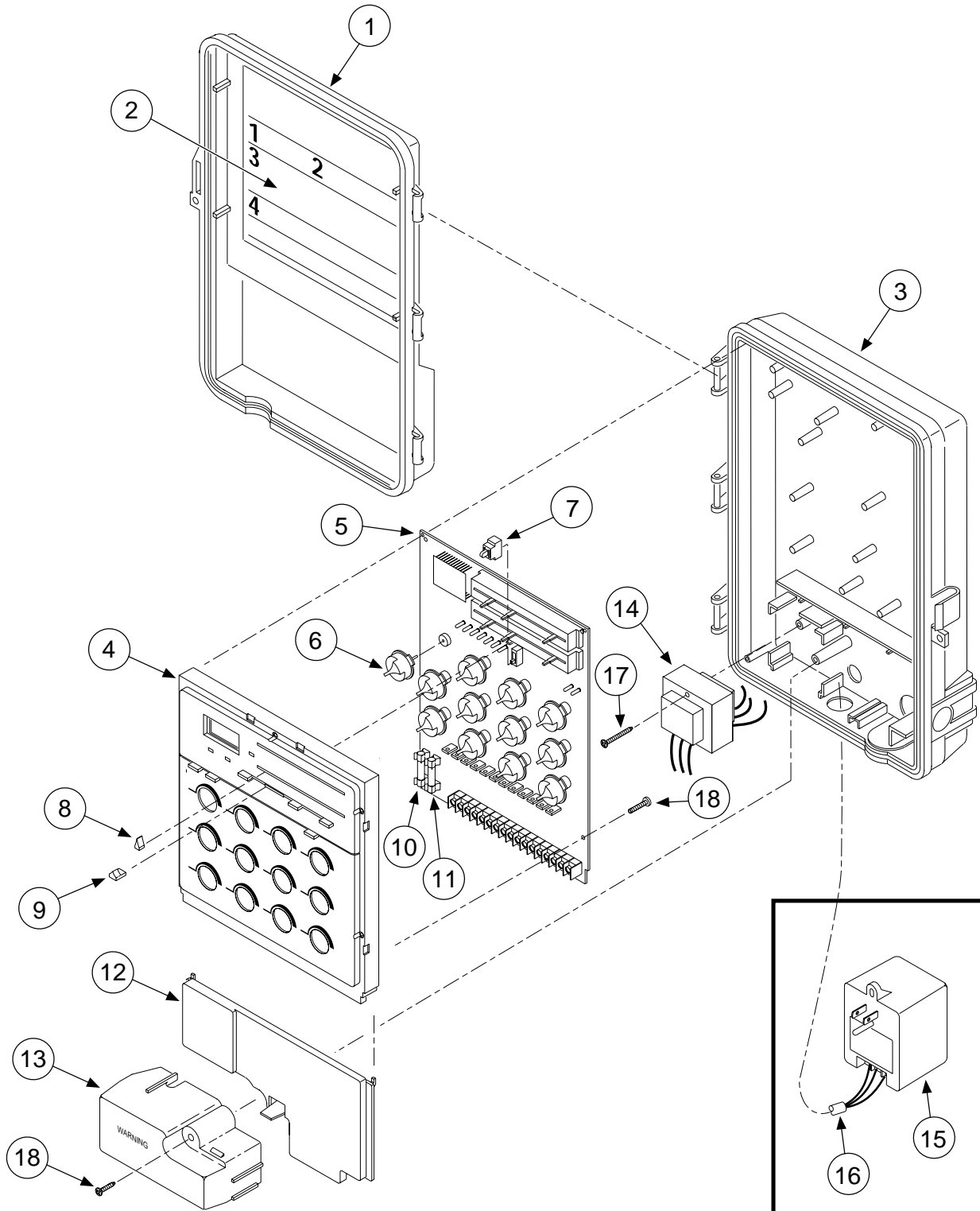


Vision II - New-Style Plastic Cabinet



Item No.	Part No.	Description	Quantity Per Assy.
1	91-1327	Cover, Gray	1
2	91-0806	Decal, Instruction	1
3	91-1325	Housing, Gray	1
4	91-0972	Front Plate, 12 Station	1
4	91-0973	Front Plate, 9 Station	1
4	91-0974	Front Plate, 6 Station	1
5	-----	PCB Assy., 12 Station (See Service Parts and Assemblies)	1
5	-----	PCB Assy., 9 Station (See Service Parts and Assemblies)	1
5	-----	PCB Assy., 6 Station (See Service Parts and Assemblies)	1
6	91-0054	Knob, Station	1
7	-----	Extender, Slide Switch	1
8	91-0056	Knob, Slide	1
9	89-0410	Knob, Slide	1
10	360-0749	Fuse, 1.5 Amp	1
11	363-5026	Fuse, .75 Amp	1
12	91-1521	Cover, Terminal, Gray	1
13	91-1329	Cover, Transformer, Gray	1
14	35-9951	Transformer, 120 V a.c., 24 V a.c.	1
14	35-9957	Transformer, 220/240 V a.c., 24 V a.c. (Export Models Only)	1
15	35-9914	Transformer, Plug-In, 120 V a.c., 24 V a.c.	1
16	91-0188	Cable, Power, Interconnect, Plug-In Models	1
17	363-3195	Screw, Tap, #6 x 1.5"	1
18	363-1355	Screw, Tap, #6	1
		SERVICE PARTS AND ASSEMBLIES	
	363-5078	Barrier Strip, 4 P, Input Power, Export	
	89-7050	Kit, Accessory, Vision II	
	89-9393	Timing Mechanism, 6 Station (Includes Items 4–11)	
	89-9394	Timing Mechanism, 9 Station (Includes Items 4–11)	
	89-9395	Timing Mechanism, 12 Station (Includes Items 4–11)	
	91-1362	Timing Mechanism, 6 Station, Export (Includes Items 4–11)	
	91-1363	PCB Assy., 6 Station, Export (Includes Items 5, 10 & 11)	
	91-1364	Timing Mechanism, 9 Station, Export (Includes Items 4–11)	
	91-1365	PCB Assy., 9 Station, Export (Includes Items 5, 10 & 11)	
	89-9395	Timing Mechanism, 12 Station, Export (Includes Items 4–11)	
	91-1367	PCB Assy., 12 Station, Export (Includes Items 5, 10 & 11)	