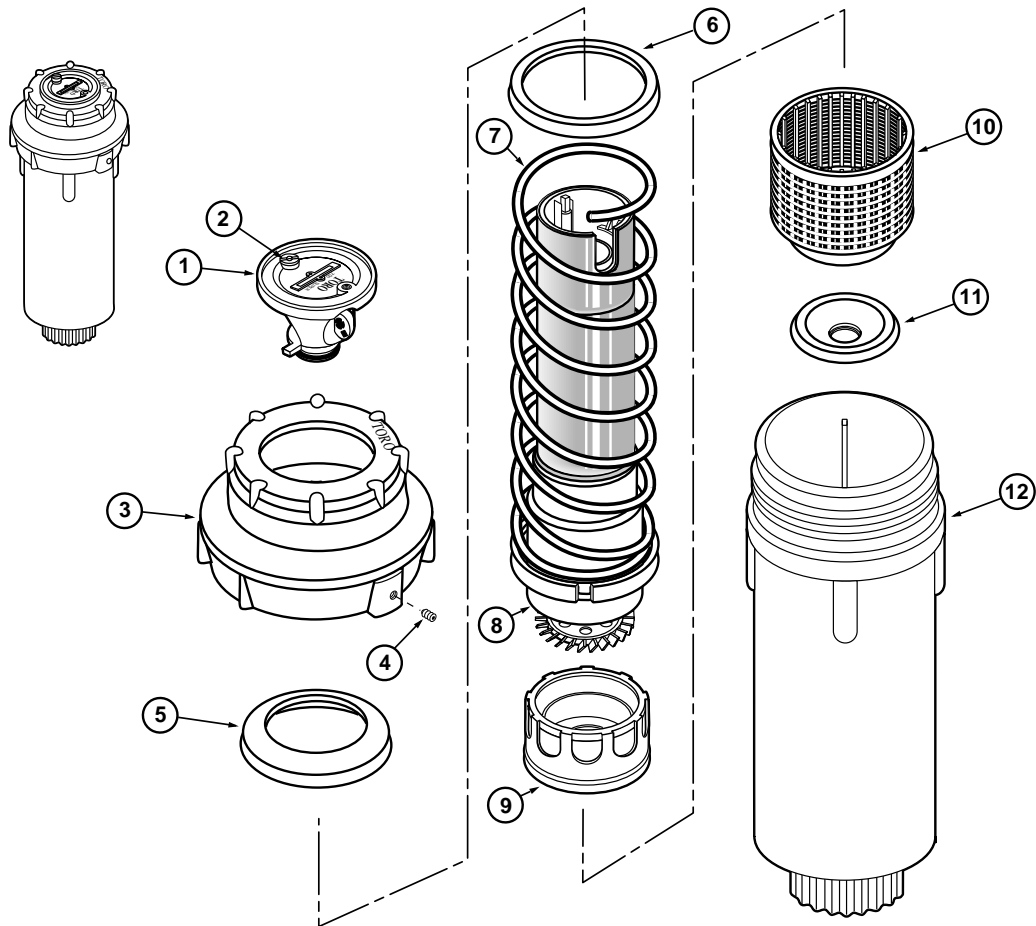


S700 Commercial



Item No.	Part No.	Description	Quantity Per Assy.
1	-----	Nozzle Assy. (See p. 21)	1
2	-----	Lock Pin, Nozzle (See p. 21)	1
3	35-8963	Cap	1
4	360-0223	Screw, Set, Half-dog, 6-32	1
5	35-8964	Seal, Riser	1
6	89-0995	Sleeve, Spring	1
7	89-0122	Spring, Retraction	1
8	35-8931	Riser Assy., PC	1
8	35-8932	Riser Assy., FC	1
9	35-6323	Stator Assy., Variable	1
10	9-1691	Screen	1
11	89-0266	Valve, Check	1
12	9-1661	Body	1
		SERVICE PARTS AND ASSEMBLIES	
	700-10	Kit, Cover, Rubber	
		SERVICE TOOLS	
		See p. 69	