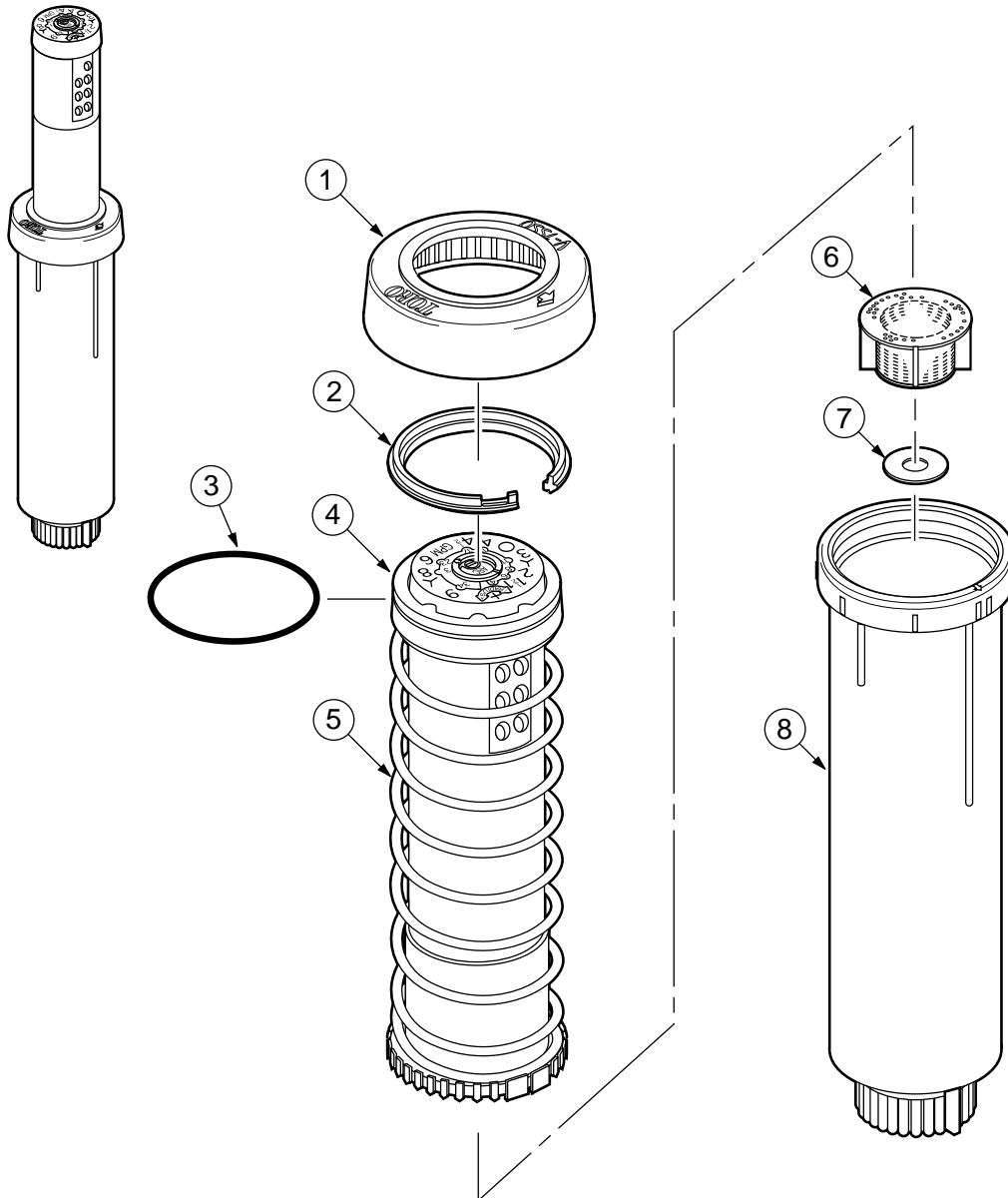


V-1550-4



| Item No. | Part No. | Description | Quantity Per Assy. |
|----------|-------------|---|--------------------|
| 1 | 89-5840 | Cover, Rubber Body | 1 |
| 2 | 89-8657 | Snap Ring | 1 |
| 3 | 363-3991 | O-Ring | 1 |
| 4 | ----- | Retainer (See Service Items) | 1 |
| 5 | *V-1550-4 | Riser Assembly, PC | 1 |
| 5 | *V-1550-4F | Riser Assembly, FC | 1 |
| 5 | *V-1550-4L | Riser Assembly, PC (w/Low-pressure Nozzle) | 1 |
| 5 | *V-1550-4FL | Riser Assembly, FC(w/Low-pressure Nozzle) | 1 |
| 6 | 89-5847 | Screen | 1 |
| 7 | 89-7561 | Seal, COM | 1 |
| 8 | 89-8658 | Body | 1 |
| | | SERVICE PARTS AND ASSEMBLIES | |
| | 102-2447 | Retainer w/ O-Ring (Includes Items 3 and 4) | |
| | | SERVICE TOOLS | |
| | | See p. 69 | |
| | | * Order Through Finished Goods Distribution System– Minneapolis | |